



Relifix

Installation instructions
Montageanleitung
Notice de montage
Manual de instrucciones
de montaje
Manual de montagem
Istruzioni di montaggio


Montagehandleiding
Monteringsvejledning
Monteringsanvisning
Monteringsanvisning
Asennusohje
Instrukcja montażu

Návod k montáži
Szerelési útmutató
Navodila za montažo
Instrucțiuni de montaj
Montaj Talimatı

Installation instructions

Table of contents

1	User information	2
1.1	Field of application	2
1.2	Used labels and symbols	2
1.3	Safekeeping of documents and actuality	2
1.4	Intended use	2
1.5	EC conformity	2
1.6	Applicable documents	2
1.7	Customer service and spare parts	2
2	Safety instructions	3
2.1	Representation and layout of warning instructions	3
2.2	Danger grading of warning instructions	3
2.3	Basic safety instructions	3
2.4	Limitations of use	3
2.5	User obligations	3
3	Transport and storage	3
4	Structure	3
5	Installation	4
5.1	Installing the Relifix V 31.5	4
5.2	Installing the Relifix V 516	6
5.3	Installing the Relifix V 410	7
5.4	Installing the Relifix V 416	9
5.5	Installing the Relifix V 135Y	10
5.6	Installing the Relifix V 56	12
5.7	Installing the Relifix V 150	13
5.8	Installing the Relifix V 506Y	15
5.9	Installing the Relifix V 525	16
5.10	Installing the Relifix V 525Y	18
6	Maintenance	19
7	Taking out of operation	19
8	Disposal	19
9	Technical data	19

 The original installation instructions are written in German.
The translations are based on these original installation
instructions.

GB

DE

FR

ES

PT

IT

NL

DK

NO

SE

FI

PL

CZ

HU

SI

RO

TR

1 User information

Before the product is used for the first time, all persons who will be using the product must have carefully read and understood the installation instructions.

This documentation as well as translations hereof are the property of the HellermannTyton Group. Replication, editing, reproducing or distribution in whole or in parts for purposes other than following the original intended use requires the prior written consent from the HellermannTyton Group.

1.1 Field of application

The installation instructions are directed towards technicians and the user. The installation instructions only apply for the products in the Relifix series, called "product" in the following:

TYPE	Article-No.
Relifix V 31.5	435-00650
Relifix V 516	435-00655
Relifix V 410	435-00652
Relifix V 416	435-00653
Relifix V 135Y	435-00657
Relifix V 56	435-00654
Relifix V 150	435-00651
Relifix V 506Y	435-00658
Relifix V 525	435-00656
Relifix V 525Y	435-00659

1.2 Used labels and symbols

In these instructions, different labels and symbols are used in the text. These are explained in the following:

- Symbol for an enumeration
- ▶ Symbol for an instruction
- 1 First step
- 2 Following steps
- ☑ Outcome

Display text/screen text

→ *Cross reference*



Texts with this symbol contain information on environmental protection.



Texts with this symbol contain additional information.

1.3 Safekeeping of documents and actuality

- ▶ Keep these instructions as well as all other supplied documents in a safe place, so that they are available at any time.
- ▶ Please note:
Due to the continuous development of the products, there may be deviations between the documentation and the product. The current edition can be found at www.HellermannTyton.com/site/downloads.

1.4 Intended use

The product is only intended to establish underground and above-ground cable connections.

The product may only be installed by trained specialised personnel according to the installation instructions. The specifications contained in these installation instructions are based on our current state of research and development.

Due to the diversity of workmanship and use possibilities, the user must check the suitability of the product for the intended purpose.

The product may only be used for the purposes described in these installation instructions. The product may only be used in technically perfect condition in accordance with its intended use and the installation instructions, and only by competent persons who are fully aware of the risks involved.

1.5 EC conformity

The product fulfills the requirements in accordance with:

- Test methods and requirements for cable-accessories DIN EN 50393
- Glow-wire flammability test method for end-products DIN EN 60695-2-11

1.6 Applicable documents

The nonverbal installation instructions must be observed for every product.

1.7 Customer service and spare parts

If you have any questions or suggestions, please contact HellermannTyton. The contact data is listed at the end of this documentation.

2 Safety instructions

The product was manufactured according to the current state of technology and the recognised safety regulations. Nonetheless, use of the product can result in hazards to the life and limb of the user or third persons, or in damage to the device and other material property.

These operating instructions contain information on safety.

- ▶ Always follow all of the instructions to prevent personal injury, material damage or environmental damage.

2.1 Representation and layout of warning instructions

The warning instructions relate to actions and are structured as follows:

⚠ DANGER
Type and source of danger!
Explanations on the type and source of danger.
▶ Precautions to prevent danger.

2.2 Danger grading of warning instructions

The warning instructions are graded according to the severity of their danger. In the following, the danger grading is explained with the corresponding signal words and warning symbols.

⚠ DANGER
Immediate risk of lethal or serious injuries.

⚠ WARNING
Possible risk of lethal or serious injuries.

⚠ CAUTION
Possible slight injuries.

NOTE
Damage to the product or the surroundings.

2.3 Basic safety instructions

The following safety instructions apply generally when handling the product.

Danger of electric shock

A faulty or incorrectly installed power supply line can lead to lethal injuries.

- ▶ Check the voltage:
0.6/1 (1.2) kV.

2.4 Limitations of use

- ▶ Observe the following requirements for the operational environment:
 - The product may only be used between -20 °C and +90 °C.

2.5 User obligations

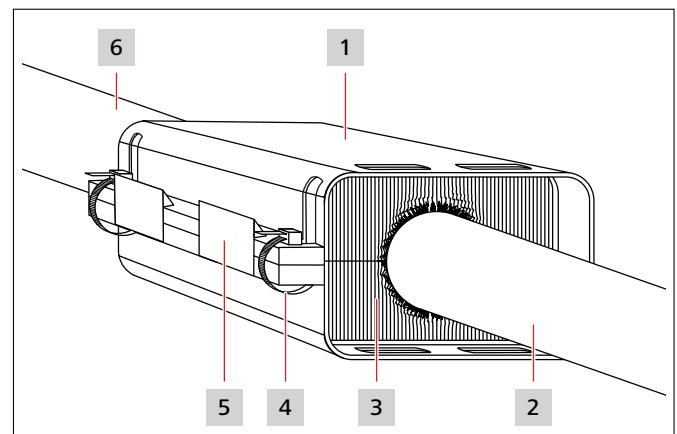
The user must observe and comply with the respectively applicable national legal regulations and accident prevention regulations.

3 Transport and storage

The product must be protected from humidity, direct sunlight and extreme heat. Do not stack heavy objects on the packaged product. The product has an unlimited shelf life.

4 Structure

The figure shows the structure of the product based on the example of the V 31.5.



Structure.

- 1 Shell
- 2 Main cable 1
- 3 Brush seal
- 4 Cable tie
- 5 Locking mechanism
- 6 Main cable 2

GB

DE

FR

ES

PT

IT

NL

DK

NO

SE

FI

PL

CZ

HU

SI

RO

TR

5 Installation

DANGER


Danger of lethal electric shock!

There is a risk of lethal injury when touching live cables.

- ▶ Disconnect the cable from the power supply before installing the product.
- ▶ Only connect the product to a properly installed and standardised cable.
- ▶ Check the voltage-level and current requirements.

The following tools are required for the start-up of the product:

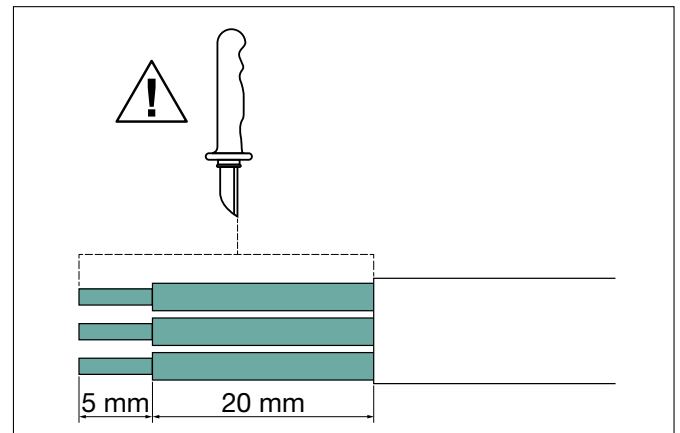
- Cable knife or stripping plier
- Screwdriver or crimping plier
- Allen key 6 mm (included depending on the product)

 If transport damage has been found or if the scope of delivery was incomplete, please contact Customer Service at HellermannTyton.

5.1 Installing the Relifix V 31.5

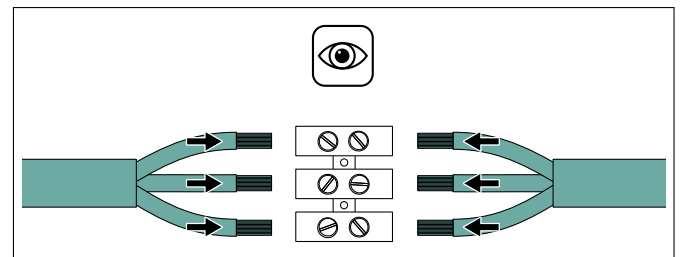
Proceed as follows:

- 1 Strip the cables as shown in the figure and align the cores.



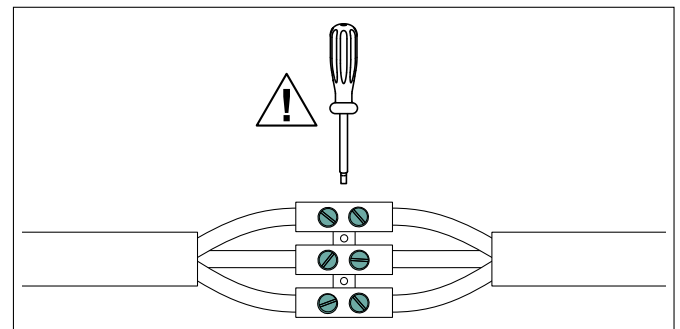
Stripping the cables.

- 2 Align the cores before connecting.



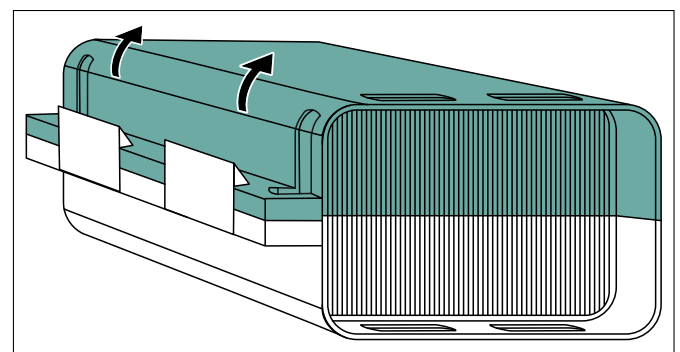
Aligning the cores.

- 3 Connect the cores with the connector block.



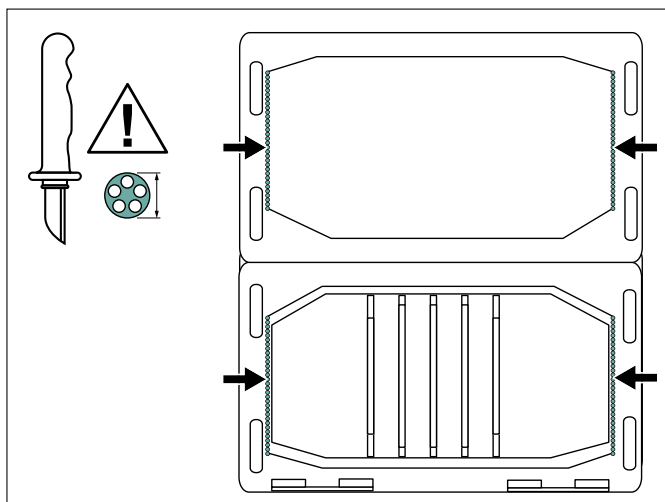
Connecting the cores.

- 4 Open the shell.



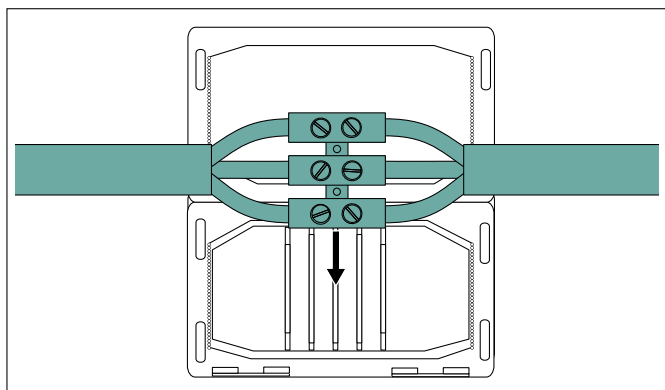
Opening the shell.

- 5 Cut-in all four brush seals according the diameter of the cables.



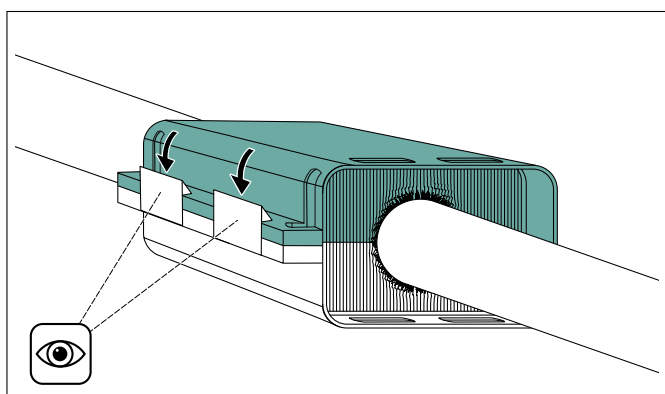
Cutting the brush seals.

- 6 Position the connector block between the higher ribbed markings in the shell.



Inserting the connector block.

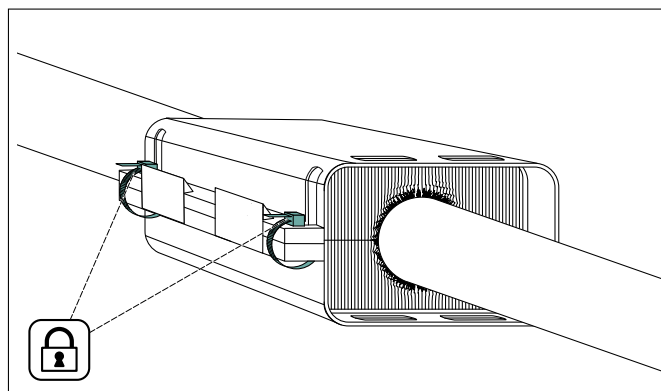
- 7 Close the shell until the locking mechanism engages.



Closing the shell.

- i** A small amount of gel must emerge around the cable sheath while closing the shell to be sure that the joint is perfect protected against dirt and moisture.

- 8 Secure the shell with cable ties against accidental opening.



Securing the shell with cable ties.

- The product has been successfully installed.

GB

DE

FR

ES

PT

IT

NL

DK

NO

SE

FI

PL

CZ

HU

SI

RO

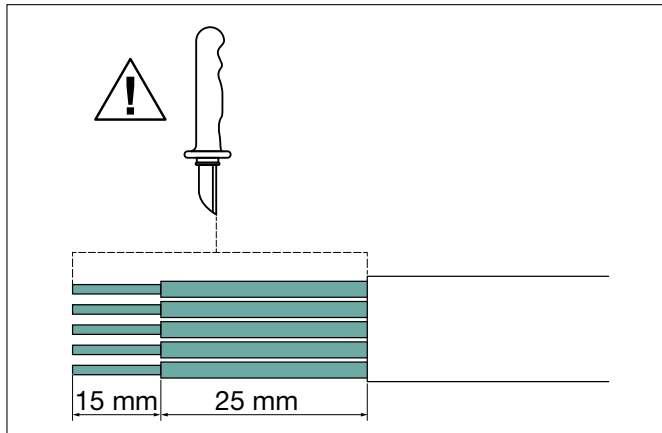
TR

Installation

5.2 Installing the Relifix V 516

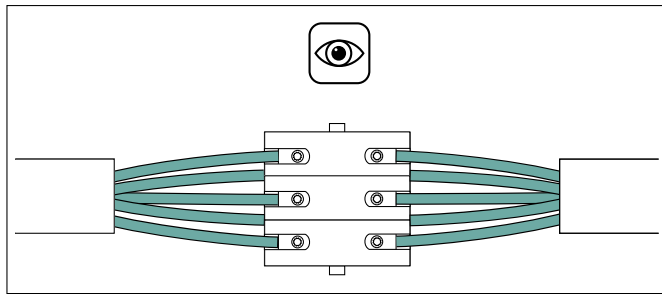
Proceed as follows:

- 1 Strip the cables as shown in the figure and align the cores.



Stripping the cables.

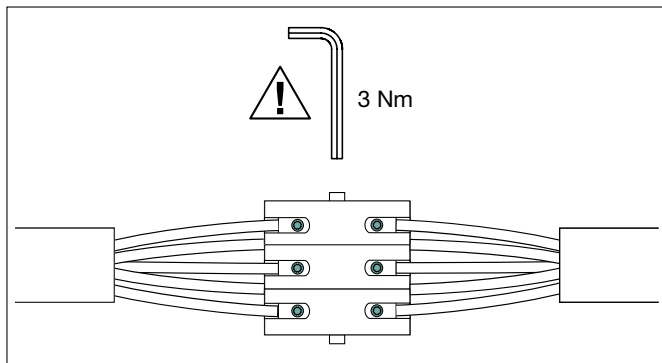
- 2 Align the cores before connecting.



Aligning the cores.

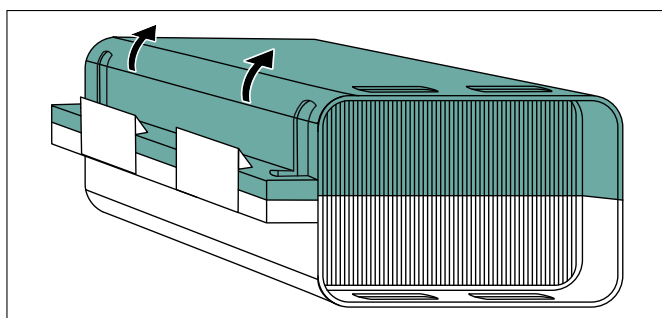
- 3 Connect the cores with the connector block.

- Note the tightening torque of 3 Nm.



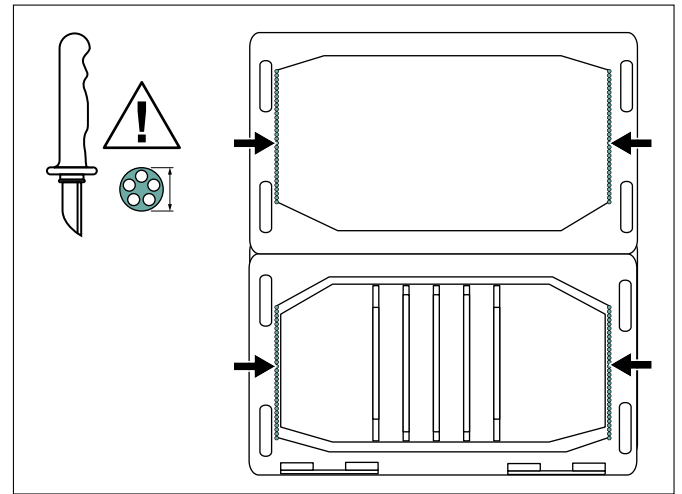
Connecting the cores.

- 4 Open the shell.



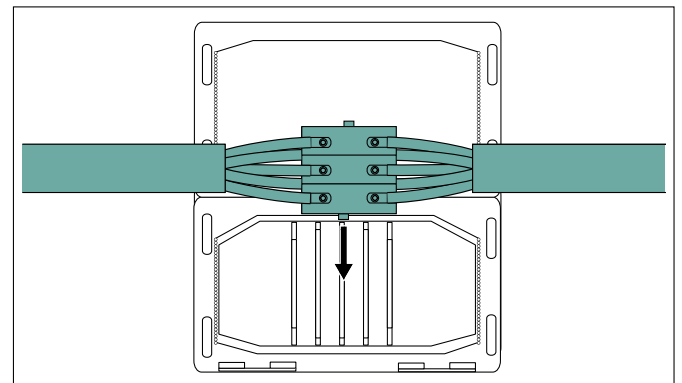
Opening the shell.

- 5 Cut-in all four brush seals according the diameter of the cables.



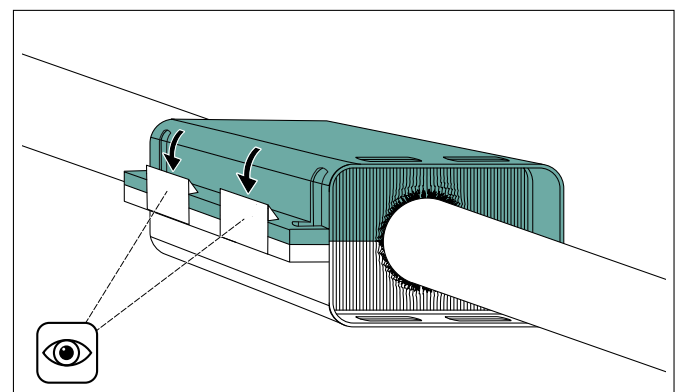
Cutting the brush seals.

- 6 Position the connector block between the higher ribbed markings in the shell.



Inserting the connector block.

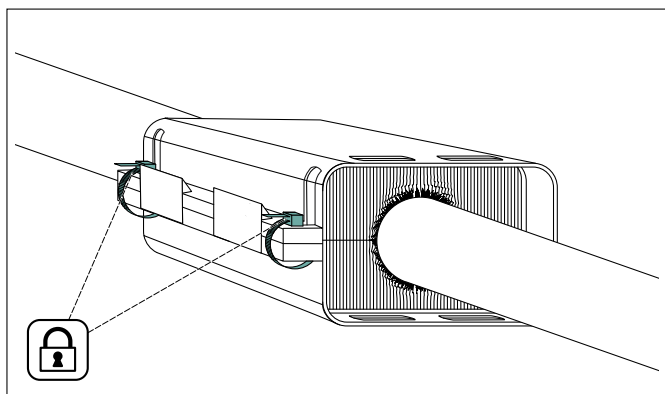
- 7 Close the shell until the locking mechanism engages.



Closing the shell.

- i** A small amount of gel must emerge around the cable sheath while closing the shell to be sure that the joint is perfect protected against dirt and moisture.

- 8 Secure the shell with cable ties against accidental opening.



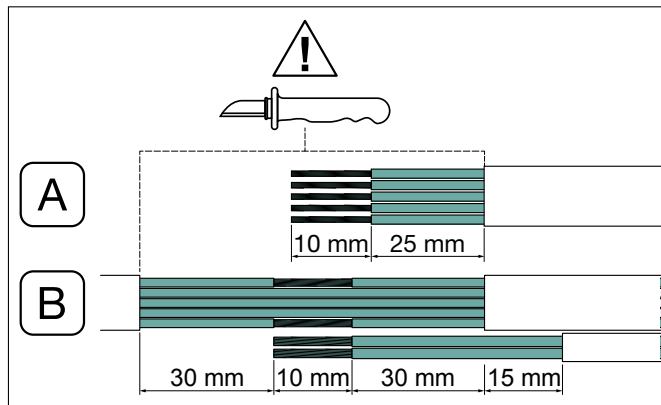
Securing the shell with cable ties.

- The product has been successfully installed.

5.3 Installing the Relifix V 410

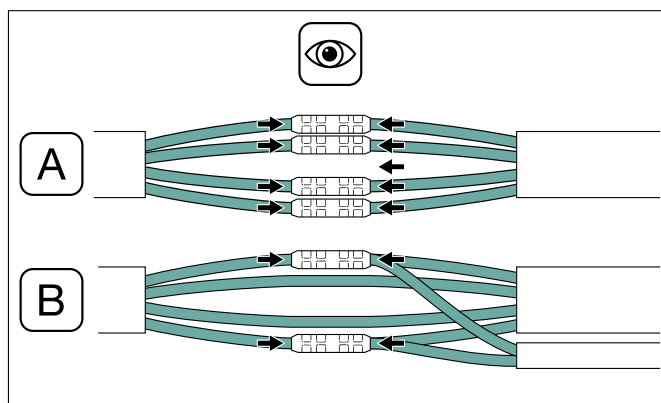
Proceed as follows:

- Strip the cables as shown in the figure and align the cores.
 - ▶ A: Straight through connection
 - ▶ B: Branch connection



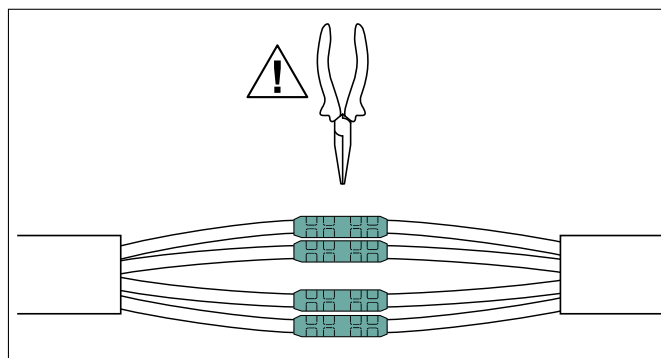
Stripping the cables.

- Align the cores before connecting.



Aligning the cores.

- Connect the cores with the matching press connectors and right tool.



Connecting the cores.

GB

DE

FR

ES

PT

IT

NL

DK

NO

SE

FI

PL

CZ

HU

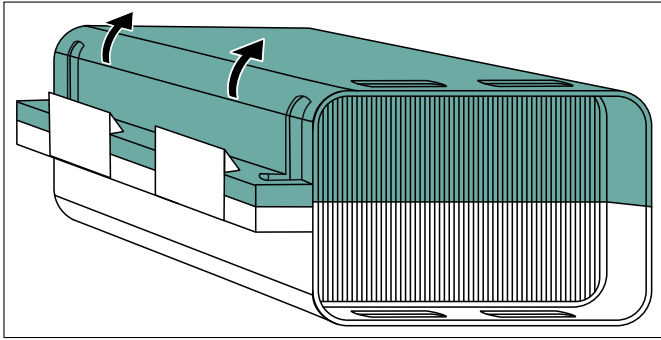
SI

RO

TR

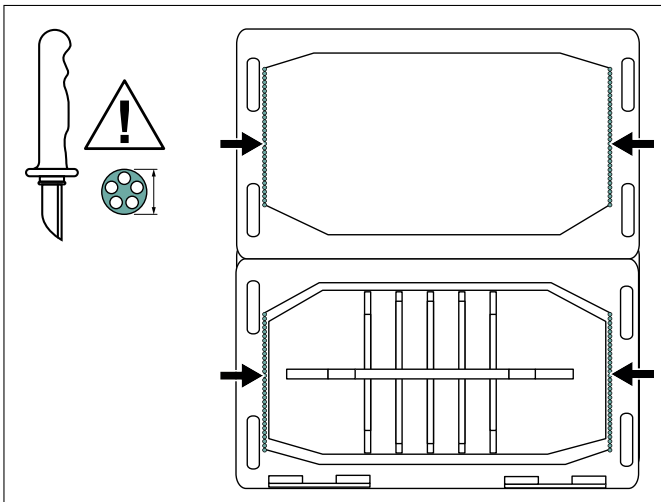
Installation

4 Open the shell.



Opening the shell.

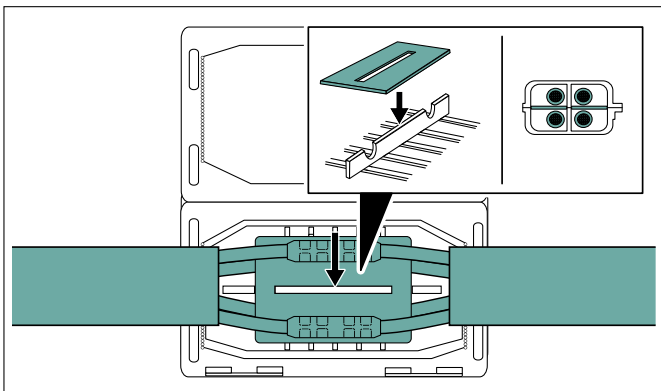
5 Cut-in all four brush seals according the diameter of the cables.



Cutting the brush seals.

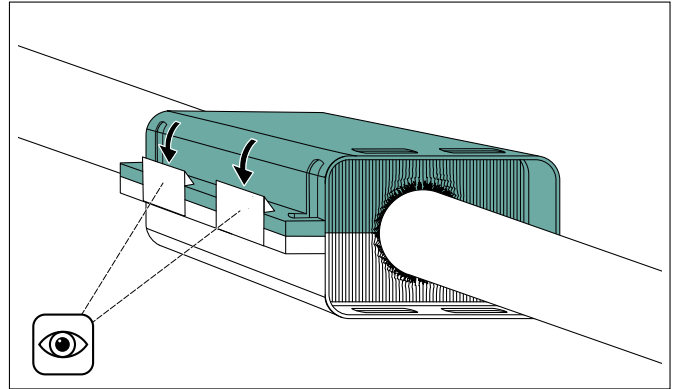
6 Position the connector block between the higher ribbed markings in the shell.

► Use the partition plate for cables with three or four cores.



Inserting the connector block.

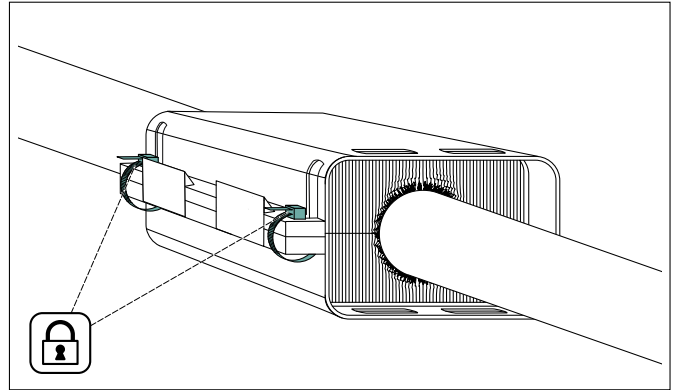
7 Close the shell until the locking mechanism engages.



Closing the shell.

i A small amount of gel must emerge around the cable sheath while closing the shell to be sure that the joint is perfect protected against dirt and moisture.

8 Secure the shell with cable ties against accidental opening.



Securing the shell with cable ties.

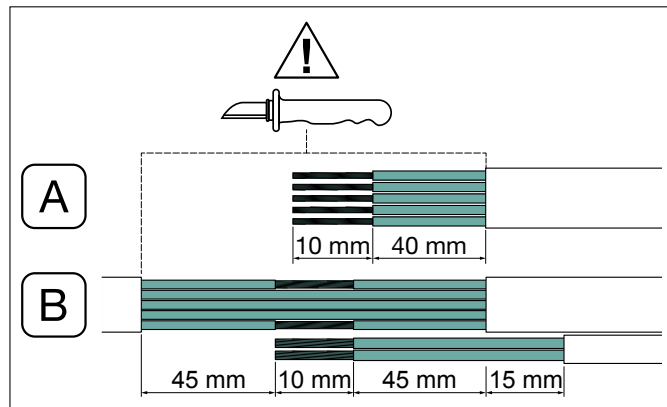
The product has been successfully installed.

5.4 Installing the Relifix V 416

Proceed as follows:

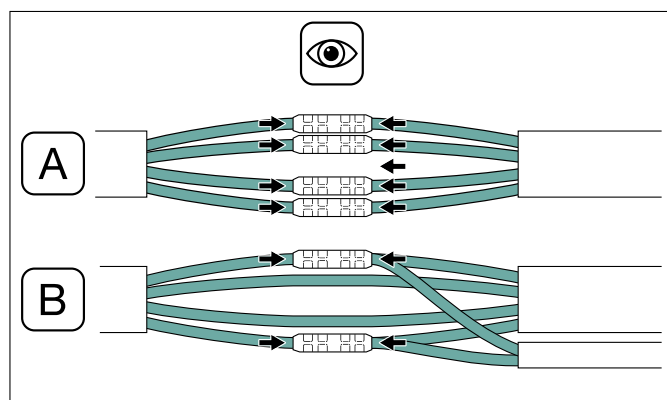
1 Strip the cables as shown in the figure and align the cores.

- ▶ A: Straight through connection
- ▶ B: Branch connection



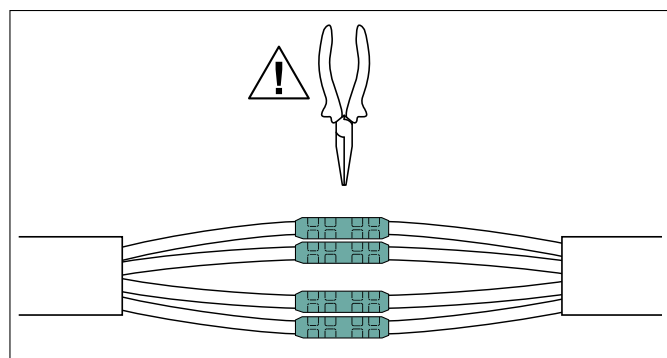
Stripping the cables.

2 Align the cores before connecting.



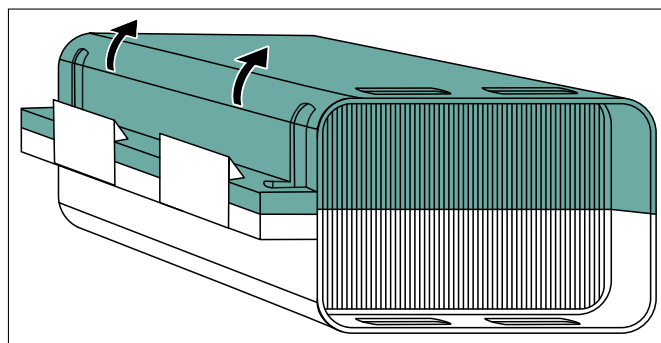
Aligning the cores.

3 Connect the cores with the matching press connectors and right tool.



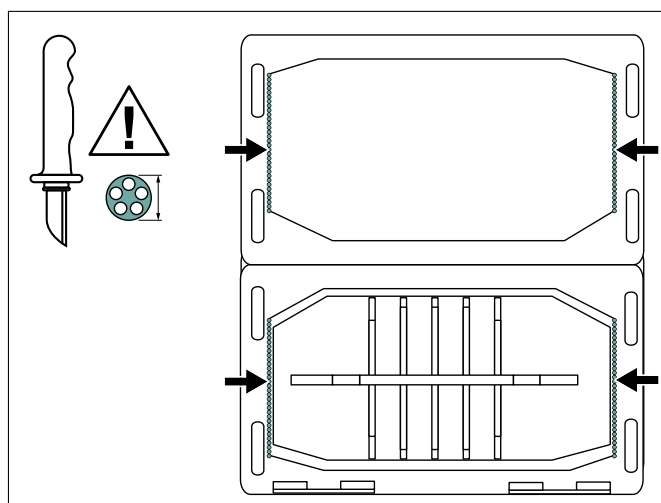
Connecting the cores.

4 Open the shell.



Opening the shell.

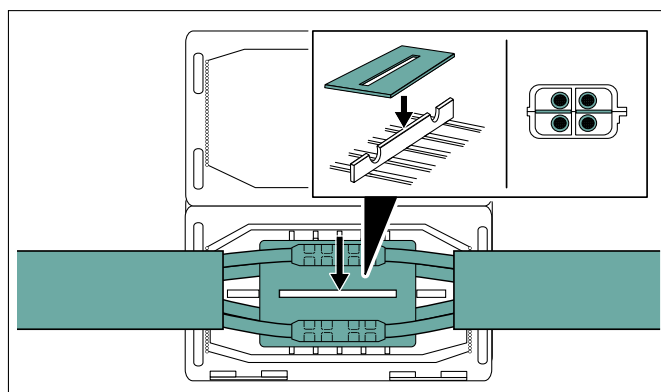
5 Cut-in all four brush seals according the diameter of the cables.



Cutting the brush seals.

6 Position the connector block between the higher ribbed markings in the shell.

- ▶ Use the partition plate for cables with three or four cores.



Inserting the connector block.

GB

DE

FR

ES

PT

IT

NL

DK

NO

SE

FI

PL

CZ

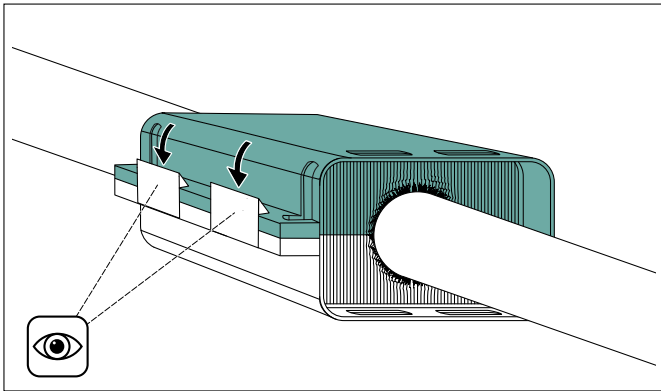
HU

SI

RO

TR

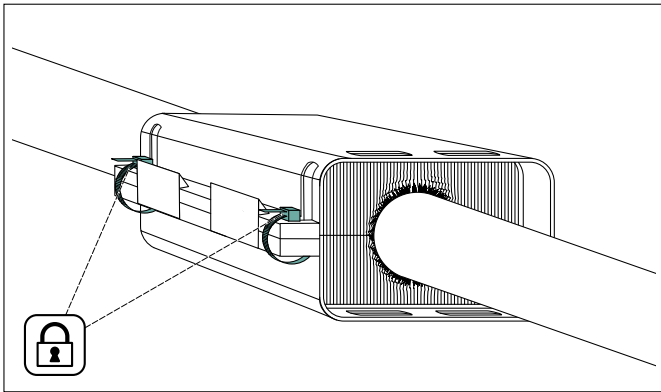
7 Close the shell until the locking mechanism engages.



Closing the shell.

i A small amount of gel must emerge around the cable sheath while closing the shell to be sure that the joint is perfect protected against dirt and moisture.

8 Secure the shell with cable ties against accidental opening.



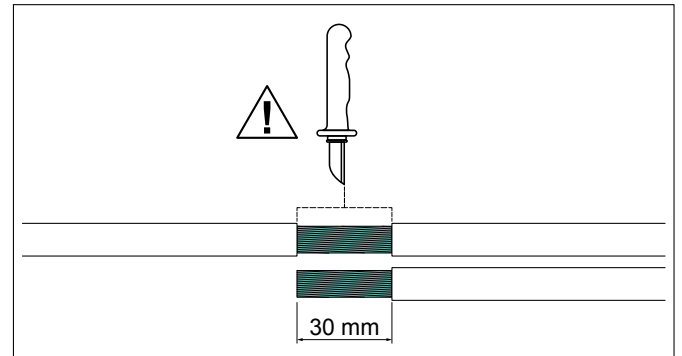
Securing the shell with cable ties.

The product has been successfully installed.

5.5 Installing the Relifix V 135Y

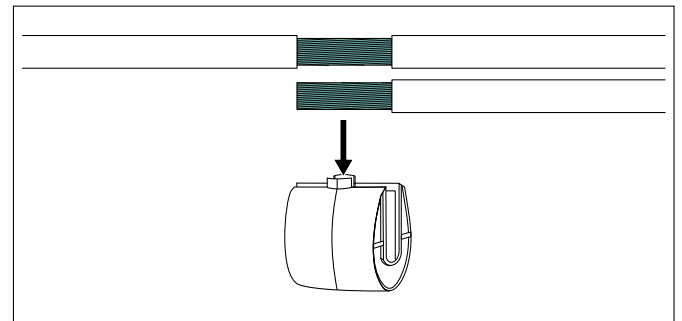
Proceed as follows:

1 Strip the cables as shown in the figure and align the cores.



Stripping the cables.

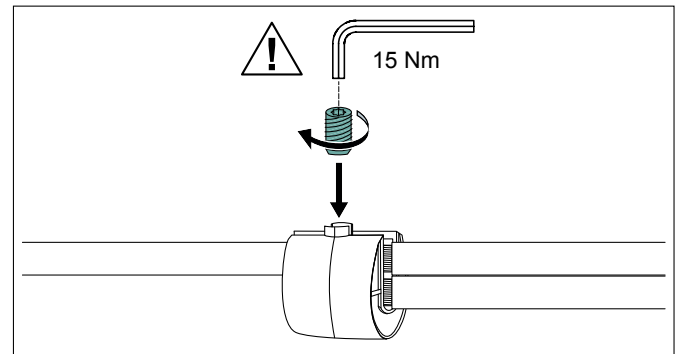
2 Insert the cores in the connector block.



Inserting the cores.

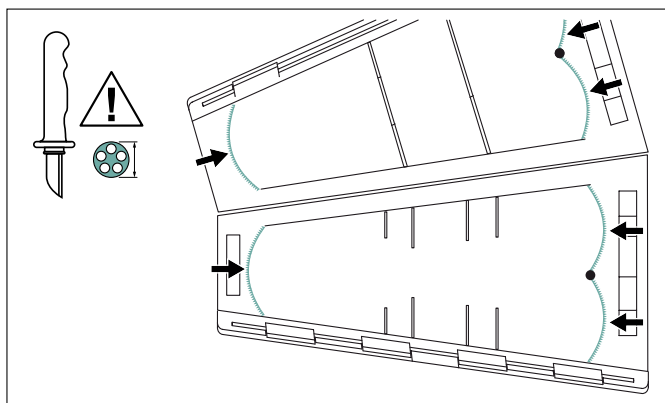
3 Connect the cores with the connector block.

► Observe the tightening torque of 15 Nm.



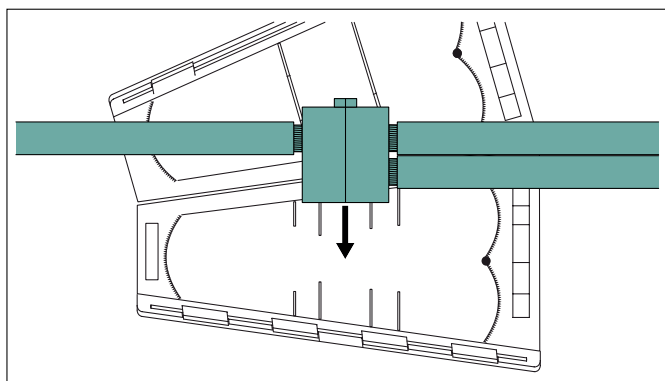
Connecting the cores.

- 4 Open the shell and cut-in all four brush seals according to the diameter of the cables.



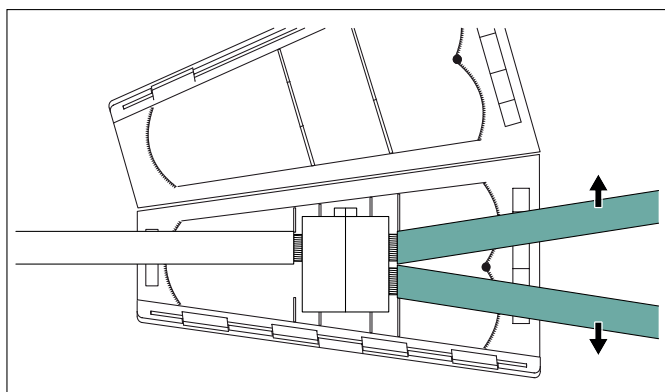
Opening and cutting the shell.

- 5 Position the connector block between the higher ribbed markings in the shell.



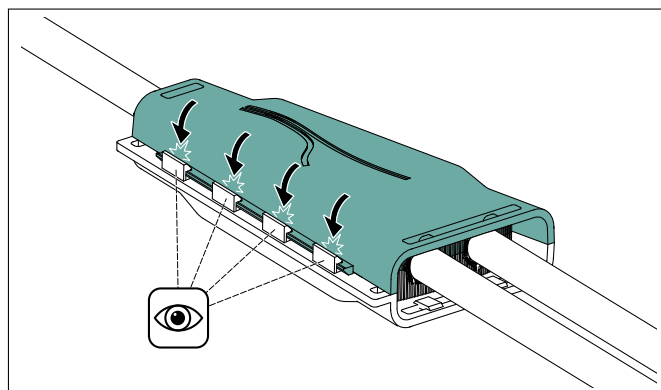
Inserting the connector block.

- 6 Spread the cables.



Spreading the cables.

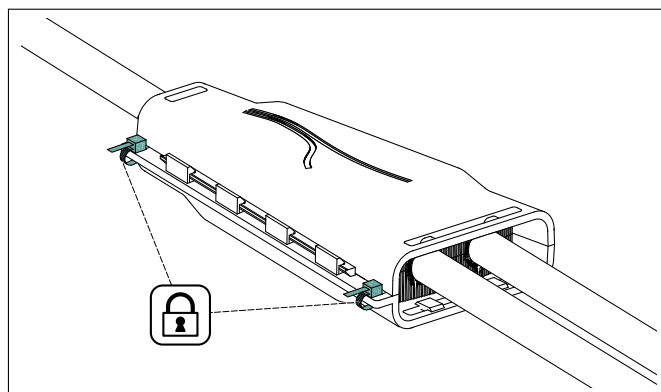
- 7 Close the shell until the locking mechanism engages.



Closing the shell.

- i** A small amount of gel must emerge around the cable sheath while closing the shell to be sure that the joint is perfect protected against dirt and moisture.

- 8 Secure the shell with cable ties against accidental opening.



Securing the shell with cable ties.

- The product has been successfully installed.

GB

DE

FR

ES

PT

IT

NL

DK

NO

SE

FI

PL

CZ

HU

SI

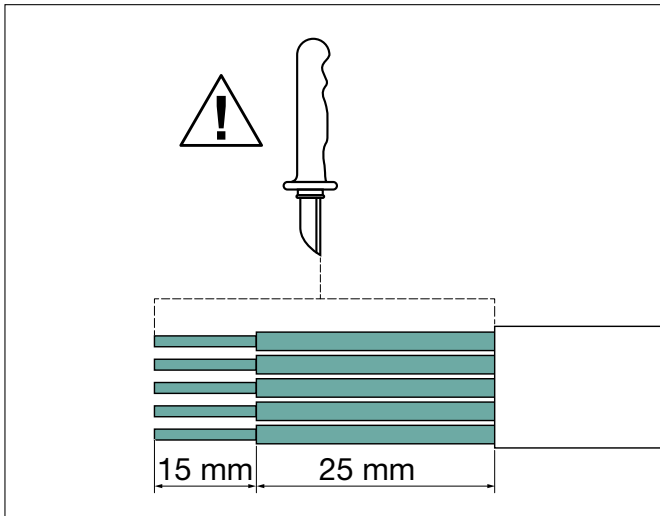
RO

TR

5.6 Installing the Relifix V 56

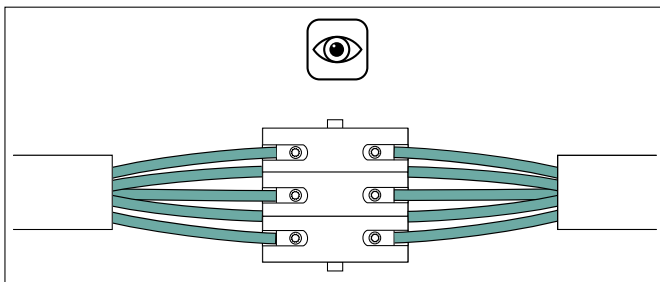
Proceed as follows:

- 1 Strip the cables as shown in the figure and align the cores.



Stripping the cables.

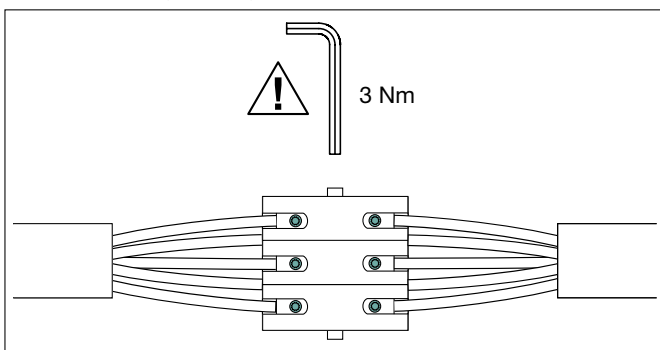
- 2 Align the cores before connecting.



Aligning the cores.

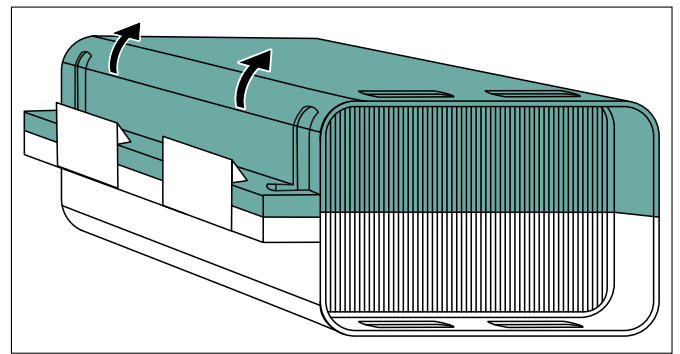
- 3 Connect the cores with the connector block.

- Note the tightening torque of 3 Nm.



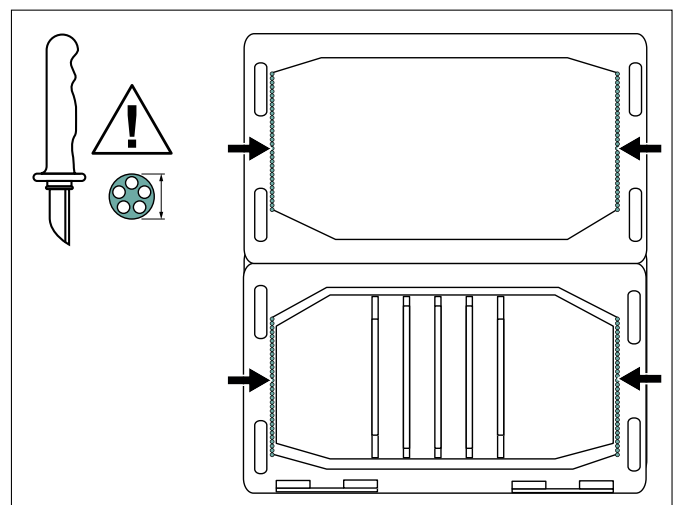
Connecting the cores.

- 4 Open the shell.



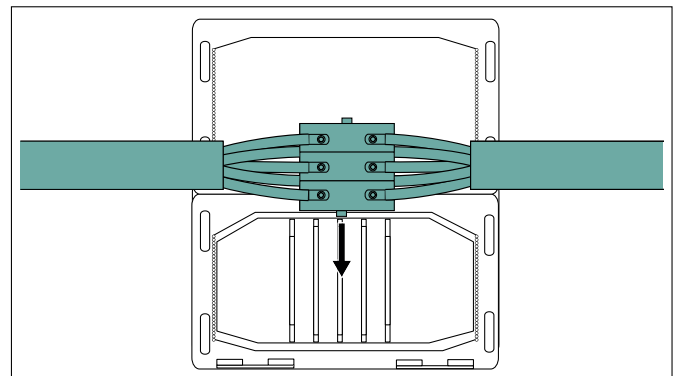
Opening the shell.

- 5 Cut-in all four brush seals according the diameter of the cables.



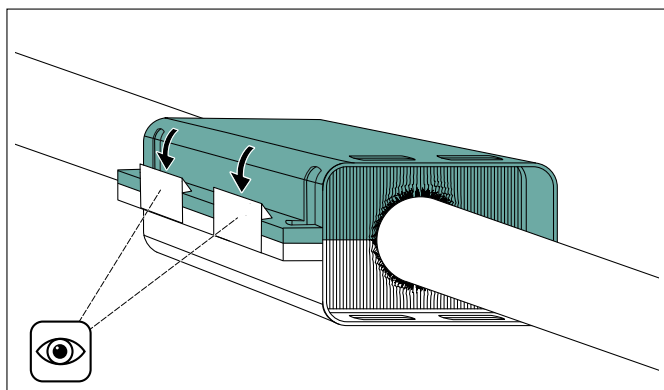
Cutting the brush seals.

- 6 Position the connector block between the higher ribbed markings in the shell.



Inserting the connector block.

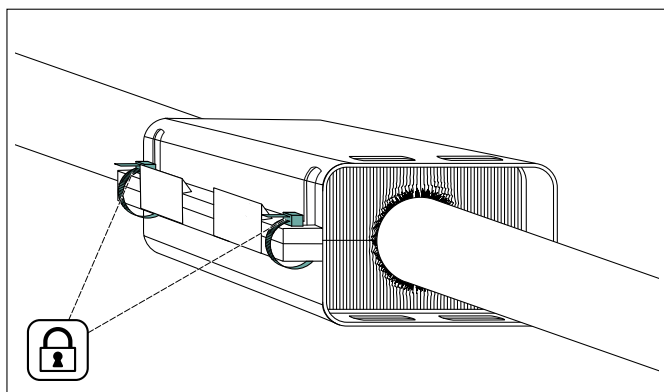
7 Close the shell until the locking mechanism engages.



Closing the shell.

i A small amount of gel must emerge around the cable sheath while closing the shell to be sure that the joint is perfect protected against dirt and moisture.

8 Secure the shell with cable ties against accidental opening.



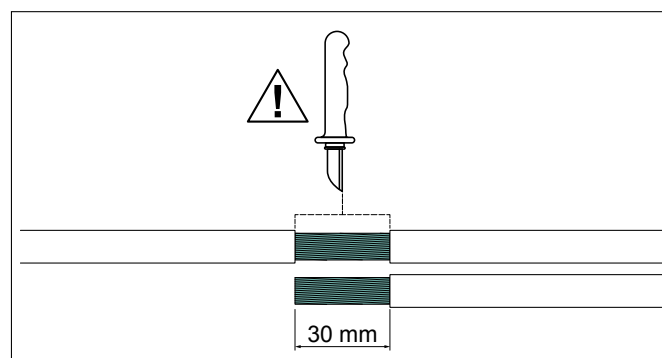
Securing the shell with cable ties.

The product has been successfully installed.

5.7 Installing the Relifix V 150

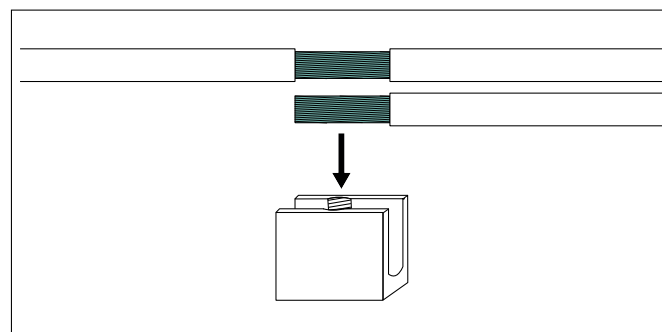
Proceed as follows:

1 Strip the cables as shown in the figure and align the cores.



Stripping the cables.

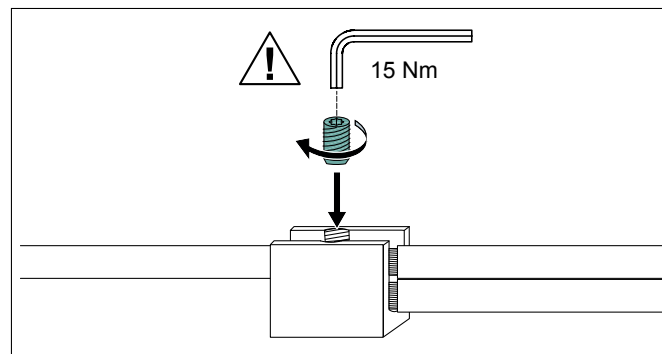
2 Insert the cores in the connector block.



Inserting the cores.

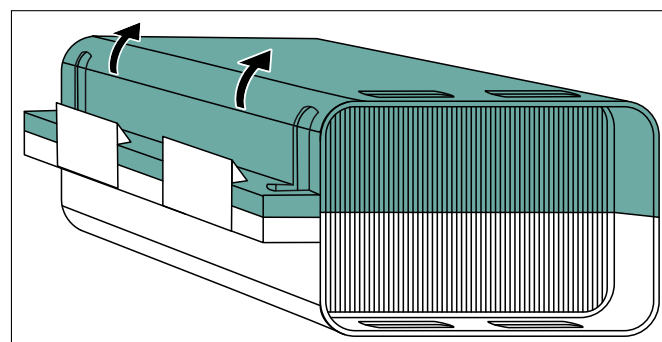
3 Connect the cores with the connector block.

► Observe the tightening torque of 15 Nm.



Connecting the cores.

4 Open the shell.



Opening the shell.

GB

DE

FR

ES

PT

IT

NL

DK

NO

SE

FI

PL

CZ

HU

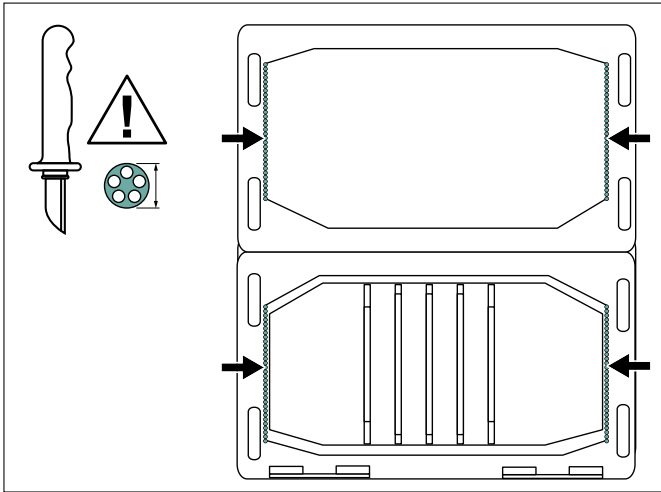
SI

RO

TR

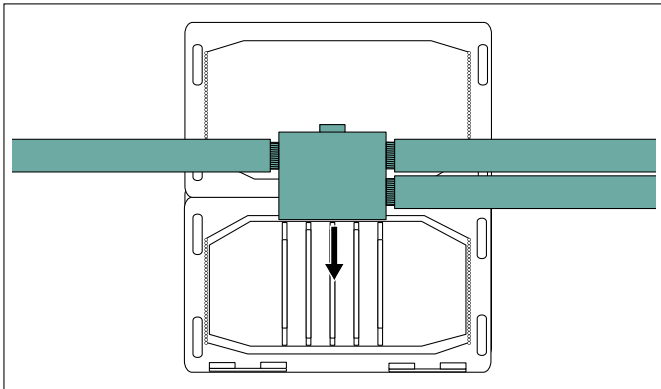
Installation

- 5 Cut-in all four brush seals according the diameter of the cables.



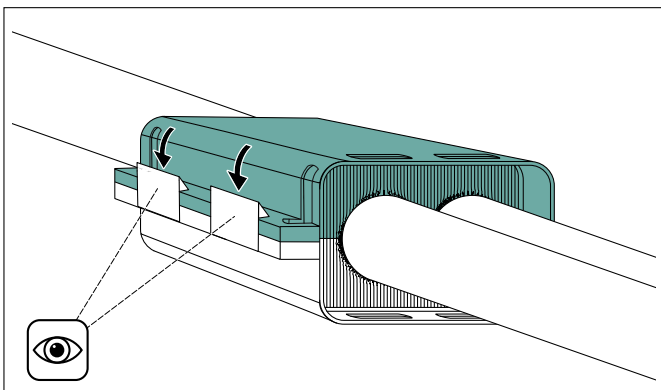
Cutting the brush seals.

- 6 Position the connector block between the higher ribbed markings in the shell.



Inserting the connector block.

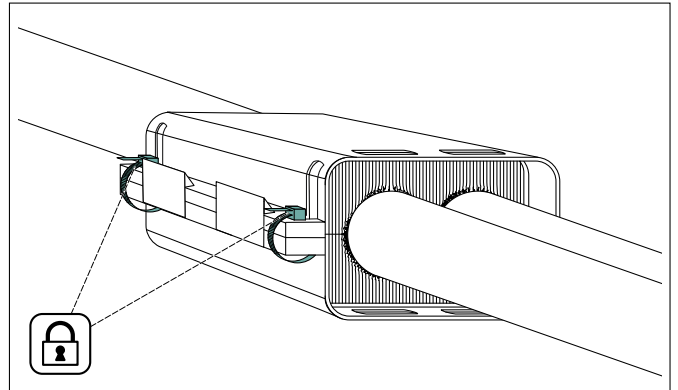
- 7 Close the shell until the locking mechanism engages.



Closing the shell.

- i** A small amount of gel must emerge around the cable sheath while closing the shell to be sure that the joint is perfect protected against dirt and moisture.

- 8 Secure the shell with cable ties against accidental opening.



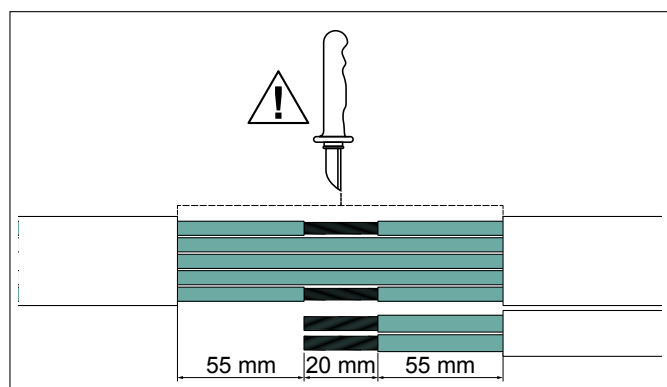
Securing the shell with cable ties.

- The product has been successfully installed.

5.8 Installing the Relifix V 506Y

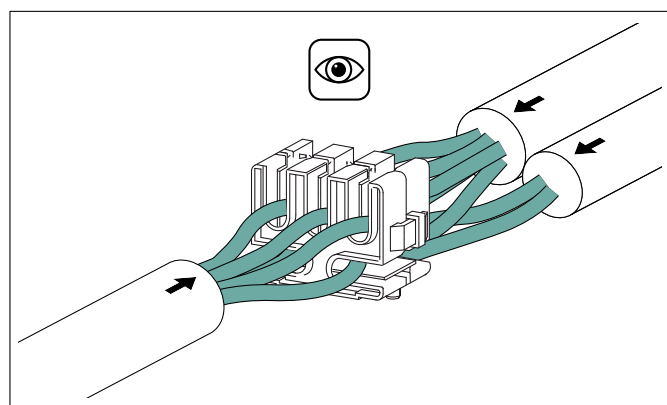
Proceed as follows:

- 1 Strip the cables as shown in the figure and align the cores.



Stripping the cables.

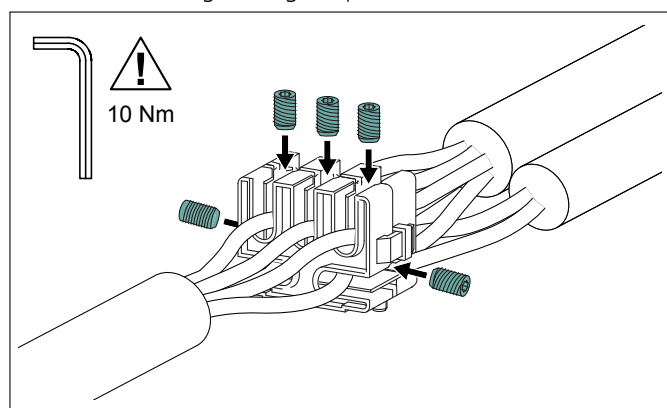
- 2 Align the cores before connecting.



Aligning the cores.

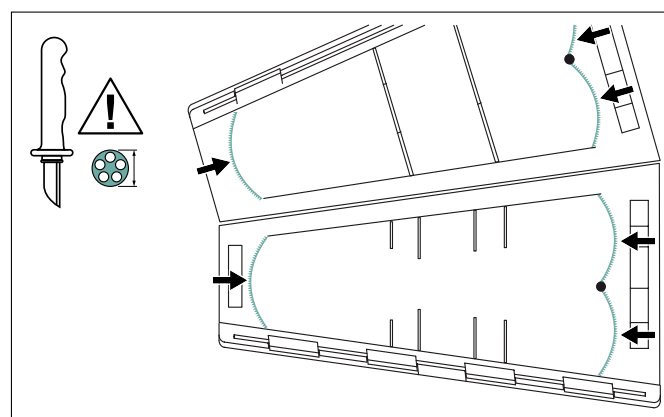
- 3 Connect the cores with the connector block.

- Observe the tightening torque of 10 Nm.



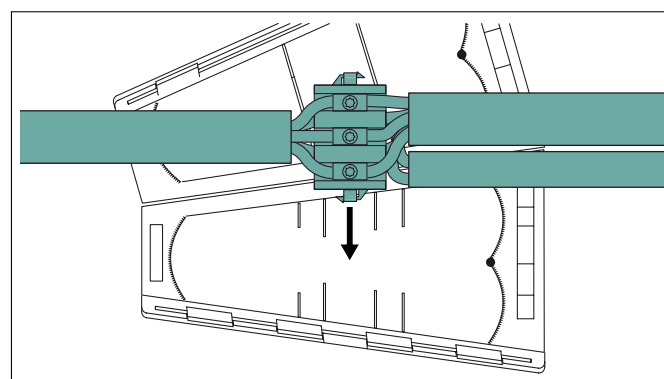
Connecting the cores.

- 4 Open the shell and cut-in all four brush seals according to the diameter of the cables.



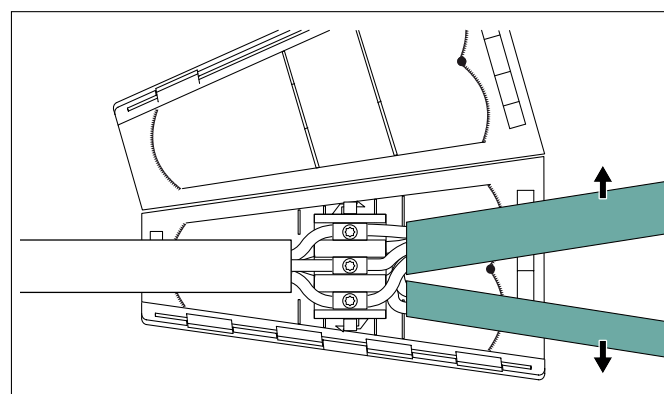
Opening and cutting the shell.

- 5 Position the connector block between the higher ribbed markings in the shell.



Inserting the connector block.

- 6 Spread the cables.



Spreading the cables.

GB

DE

FR

ES

PT

IT

NL

DK

NO

SE

FI

PL

CZ

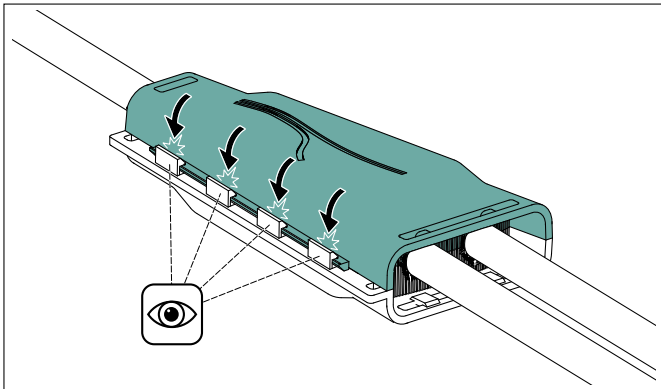
HU

SI

RO

TR

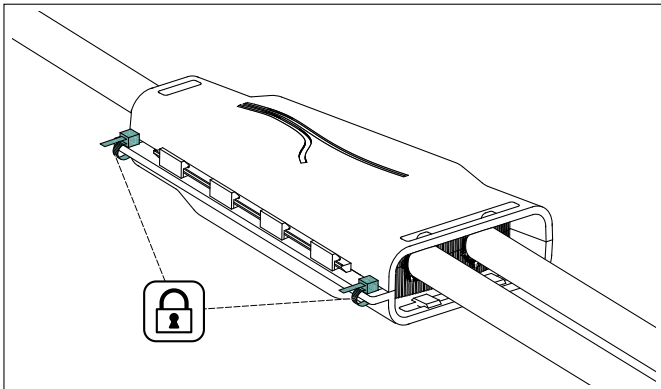
7 Close the shell until the locking mechanism engages.



Closing the shell.

i A small amount of gel must emerge around the cable sheath while closing the shell to be sure that the joint is perfect protected against dirt and moisture.

8 Secure the shell with cable ties against accidental opening.



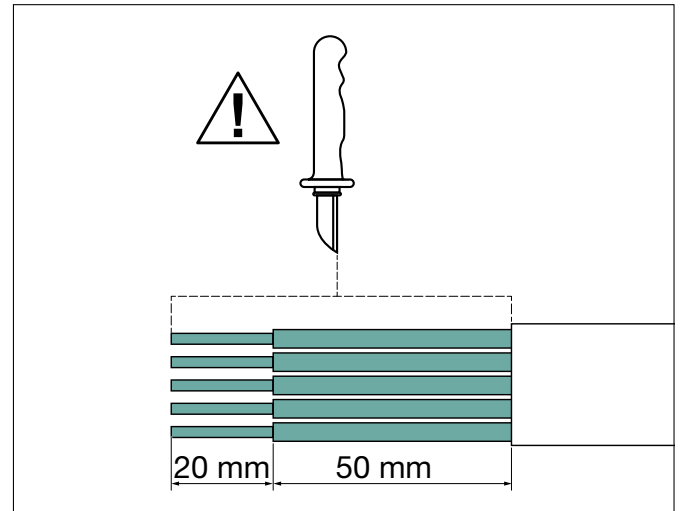
Securing the shell with cable ties.

The product has been successfully installed.

5.9 Installing the Relifix V 525

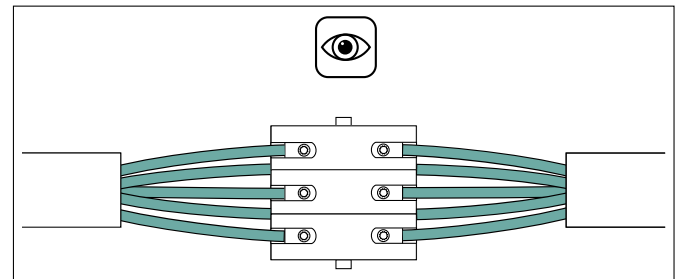
Proceed as follows:

1 Strip the cables as shown in the figure and align the cores.



Stripping the cables.

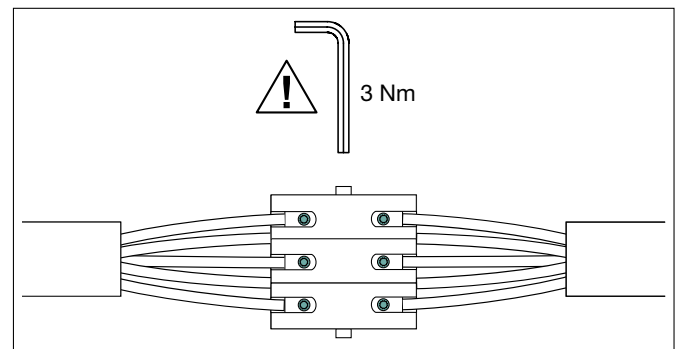
2 Align the cores before connecting.



Aligning the cores.

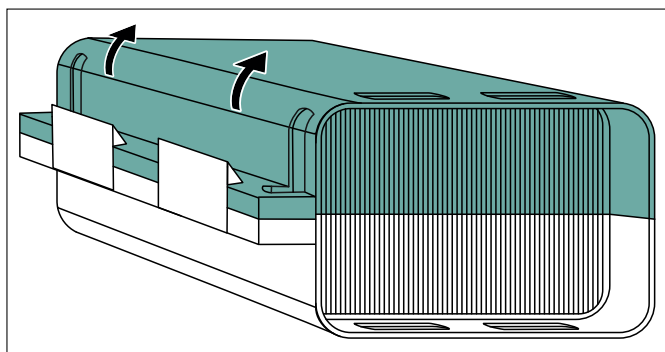
3 Connect the cores with the connector block.

► Note the tightening torque of 3 Nm.



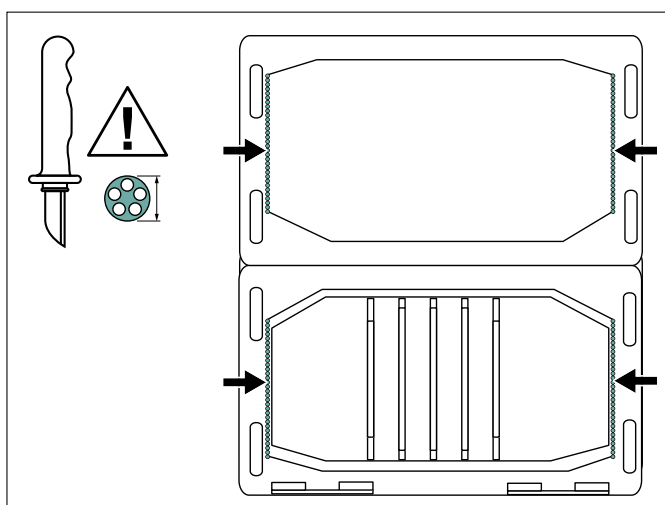
Connecting the cores.

4 Open the shell.



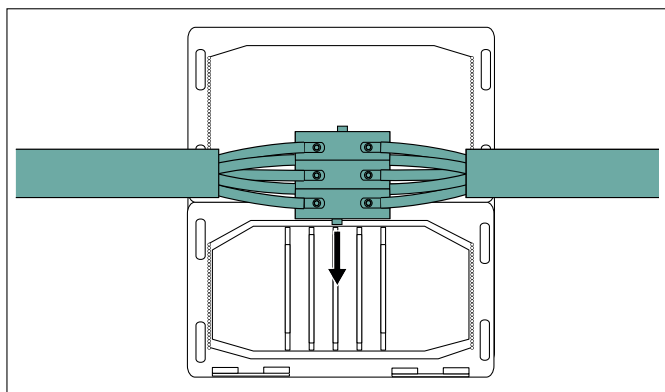
Opening the shell.

5 Cut-in all four brush seals according the diameter of the cables.



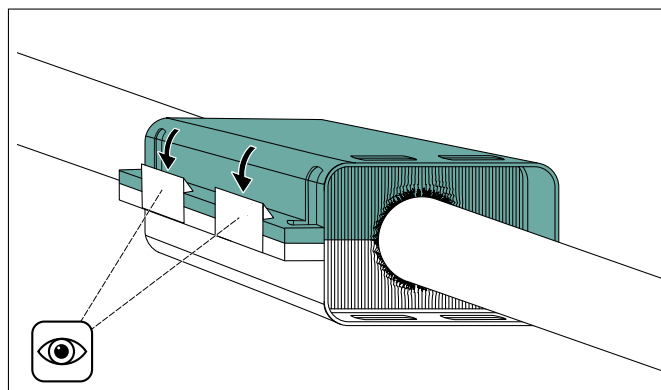
Cutting the brush seals.

6 Position the connector block between the higher ribbed markings in the shell.



Inserting the connector block.

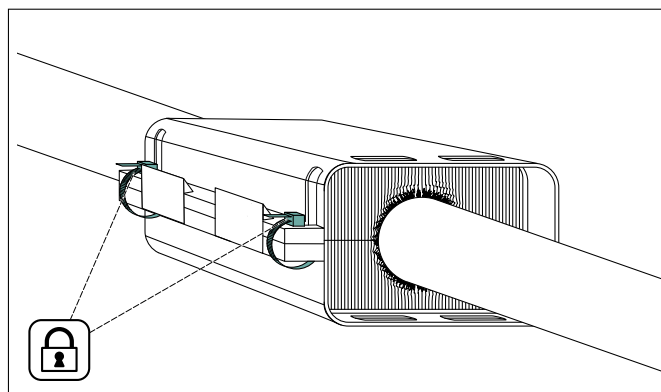
7 Close the shell until the locking mechanism engages.



Closing the shell.

i A small amount of gel must emerge around the cable sheath while closing the shell to be sure that the joint is perfect protected against dirt and moisture.

8 Secure the shell with cable ties against accidental opening.



Securing the shell with cable ties.

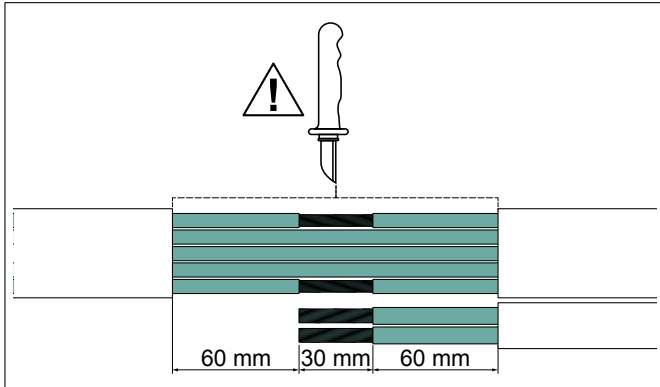
The product has been successfully installed.

GB
DE
FR
ES
PT
IT
NL
DK
NO
SE
FI
PL
CZ
HU
SI
RO
TR

5.10 Installing the Relifix V 525Y

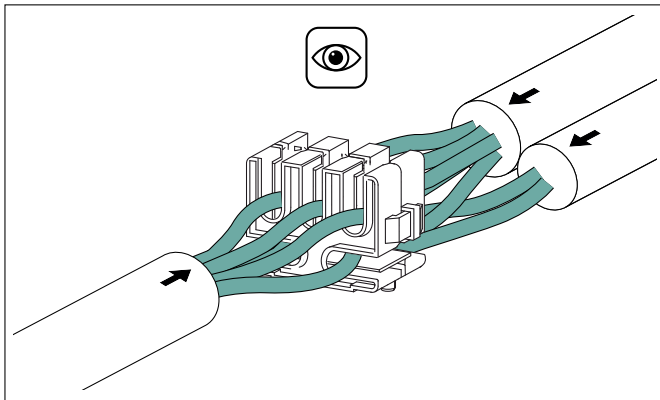
Proceed as follows:

- 1 Strip the cables as shown in the figure and align the cores.



Stripping the cables.

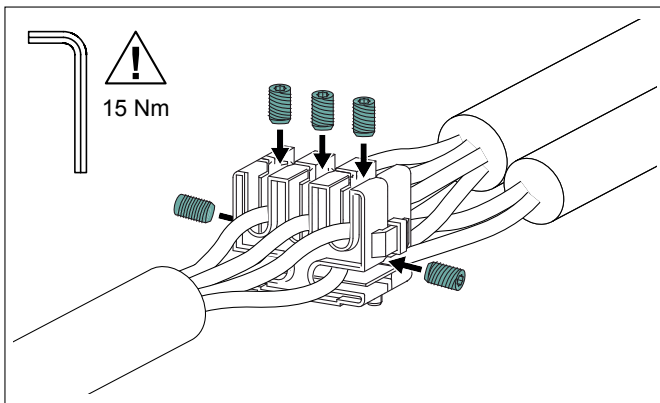
- 2 Align the cores before connecting.



Aligning the cores.

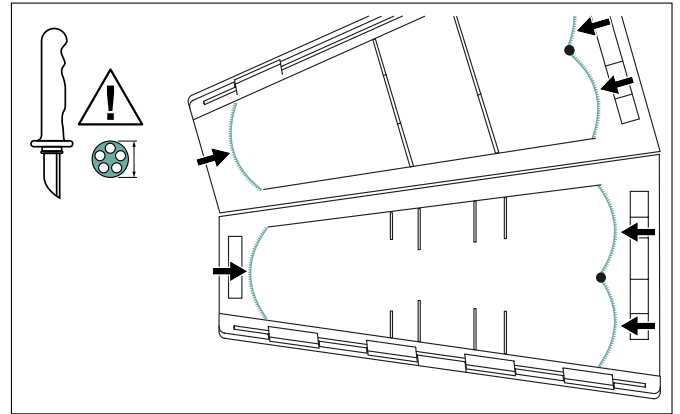
- 3 Connect the cores with the connector block.

- Observe the tightening torque of 15 Nm.



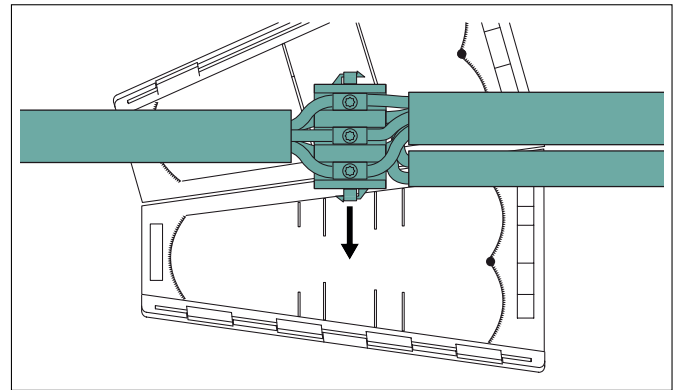
Connecting the cores.

- 4 Open the shell and cut-in all four brush seals according to the diameter of the cables.



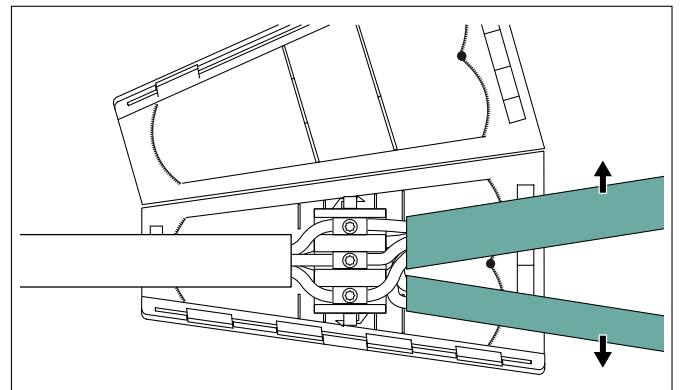
Opening and cutting the shell.

- 5 Position the connector block between the higher ribbed markings in the shell.



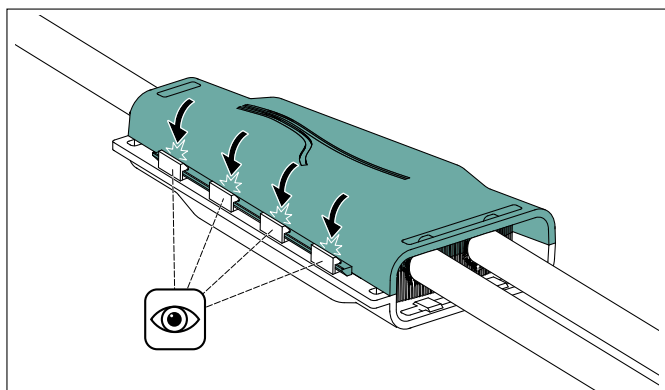
Inserting the cable connection.

- 6 Spread the cables.



Spreading the cables.

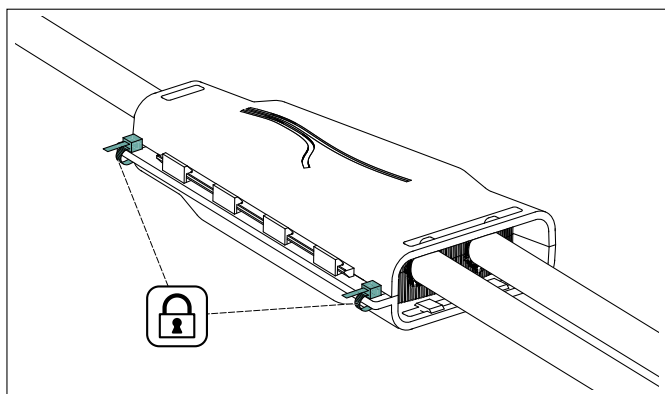
7 Close the shell until the locking mechanism engages.



Closing the shell.

i A small amount of gel must emerge around the cable sheath while closing the shell to be sure that the joint is perfect protected against dirt and moisture.

8 Secure the shell with cable ties against accidental opening.



Securing the shell with cable ties.

The product has been successfully installed.

6 Maintenance


The product requires no maintenance.

7 Taking out of operation

When installed and used for its intended purpose, the product will perform continuously without issues.

8 Disposal

After termination of use, the purchaser or the operator must properly dispose of the product including the accessories.

 This product was manufactured according to the current environmental protection standards. The materials can be separated and recycled.

- ▶ Observe the national regulations for the disposal of recyclable materials.
- ▶ Do not dispose of the product with domestic waste.
- ▶ Take the product to a local collection point or recycling centre.
- ▶ If necessary, contact your local environmental office.

9 Technical data

Characteristics	
Insulating properties	0.6/1 kV
Ageing resistance	Yes
UV resistance	Yes
Weather resistance	Yes
Shelf life	Unlimited
Operating temperature	-20 °C to 90 °C
Scope of application	Interior room, outside, in water, in the ground and in installation ducts

Relifix V 31.5		
Length	86 mm	
Width	47 mm	
Height	27 mm	
Cable diameter	9 mm - 16 mm	
Conductor cross-section	min.	3 x 0.5 mm ²
	max.	3 x 2.5 mm ²

GB

DE

FR

ES

PT

IT

NL

DK

NO

SE

FI

PL

CZ

HU

SI

RO

TR

Relifix V 516		
Length	180 mm	
Width	69 mm	
Height	40 mm	
Cable diameter	9 mm - 22 mm	
Conductor cross-section	min.	3 x 6 mm ²
	max.	5 x 16 mm ²

Relifix V 410		
Length	146 mm	
Width	55 mm	
Height	35 mm	
Cable diameter Main cable 2	9 mm - 20 mm	
Cable diameter Main cable 1	9 mm - 16 mm	
Conductor cross-section Main cable 2	min.	3 x 1.5 mm ²
	max.	4 x 10 mm ²
Conductor cross-section Main cable 1	min.	3 x 1.5 mm ²
	max.	4 x 2.5 mm ²

Relifix 416		
Length	180 mm	
Width	69 mm	
Height	40 mm	
Cable diameter Main cable 2	9 mm - 22 mm	
Cable diameter Main cable 1	9 mm - 17 mm	
Conductor cross-section Main cable 2	min.	3 x 1.5 mm ²
	max.	4 x 16 mm ²
Conductor cross-section Main cable 1	min.	3 x 1.5 mm ²
	max.	4 x 4 mm ²

Relifix V 135Y		
Length	145 mm	
Width	70 mm	
Height	32 mm	
Cable diameter Main cable 2	9 mm - 16 mm	
Cable diameter Main cable 1	9 mm - 14 mm	
Conductor cross-section Main cable 2	min.	1 x 10 mm ²
	max.	1 x 35 mm ²
Conductor cross-section Main cable 1	min.	1 x 2.5 mm ²
	max.	1 x 25 mm ²

Relifix V 56		
Length	146 mm	
Width	55 mm	
Height	35 mm	
Cable diameter	9 mm - 20 mm	
Conductor cross-section	min.	3 x 1.5 mm ²
	max.	5 x 6 mm ²

Relifix V 150		
Length	86 mm	
Width	47 mm	
Height	27 mm	
Cable diameter (Main cable 2/Main cable 1)	9 mm - 16 mm	
Conductor cross-section Main cable 2	min.	1 x 10 mm ²
	max.	1 x 50 mm ²
Conductor cross-section Main cable 1	min.	1 x 2.5 mm ²
	max.	1 x 6 mm ²

Relifix V 506Y		
Length	220 mm	
Width	110 mm	
Height	53 mm	
Cable diameter (Main cable 2/Main cable 1)	9 mm - 20 mm	
Conductor cross-section Main cable 2	min.	3 x 6 mm ²
	max.	5 x 6 mm ²
Conductor cross-section Main cable 1	min.	3 x 2.5 mm ²
	max.	5 x 6 mm ²

Relifix V 525		
Length	240 mm	
Width	75 mm	
Height	48 mm	
Cable diameter	9 mm - 30 mm	
Conductor cross-section	min.	3 x 16 mm ²
	max.	5 x 25 mm ²

Relifix V 525Y		
Length	260 mm	
Width	130 mm	
Height	65 mm	
Cable diameter (Main cable 2/Main cable 1)	9 mm - 30 mm	
Conductor cross-section Main cable 2	min.	3 x 16 mm ²
	max.	5 x 25 mm ²
Conductor cross-section Main cable 1	min.	3 x 2.5 mm ²
	max.	5 x 25 mm ²

All dimensions in mm. We reserve the right to make technical changes without notice. Minimum order quantities (MOQ) can deviate from the package contents.

HellermannTyton operates globally in 37 countries



Europe

HellermannTyton GmbH – Austria

Rennbahnweg 65
1220 Vienna
Tel.: +43 12 59 99 55-0
Fax: +43 12 59 99 11
Email: office@HellermannTyton.at
www.HellermannTyton.at

HellermannTyton – Czech Republic

Email: officeCZ@HellermannTyton.at
www.HellermannTyton.cz

HellermannTyton – Denmark

Industrivej 44A, 1.
4000 Roskilde
Tel.: +45 702 371 20
Fax: +45 702 371 21
Email: htdk@HellermannTyton.dk
www.HellermannTyton.dk

HellermannTyton – Finland

Sähkötie 8
01510 Vantaa
Tel.: +358 9 8700 450
Fax: +358 9 8700 452
Email: myynti@HellermannTyton.fi
www.HellermannTyton.fi

HellermannTyton S.A.S. – France

2 rue des Hêtres - CS 80543
78197 Trappes Cedex
Tel.: +33 1 30 13 80 00
Fax: +33 1 30 13 80 60
Email: info@HellermannTyton.fr
www.HellermannTyton.fr

HellermannTyton GmbH – Germany

Großer Moorweg 45
25436 Tornesch
Tel.: +49 4122 701-0
Fax: +49 4122 701-400
Email: info@HellermannTyton.de
www.HellermannTyton.de

HellermannTyton KFT – Hungary

Kisfaludy u. 13
1044 Budapest
Tel.: +36 1 369 4151
Fax: +36 1 369 4151
Email: officeHU@HellermannTyton.at
www.HellermannTyton.hu

HellermannTyton Ltd – Ireland

Unit 77 Cherry Orchard
Industrial Estate
Ballyfermot, Dublin 10
Tel.: +353 1 626 8267
Fax: +353 1 626 8022
Email: sales@HellermannTyton.ie
www.HellermannTyton.co.uk

HellermannTyton S.r.l. – Italy

Via Visco, 3/5
35010 Limena (PD)
Tel.: +39 049 767 870
Fax: +39 049 767 985
Email: info@HellermannTyton.it
www.HellermannTyton.it

HellermannTyton B.V. – Belgium/Netherlands

Vanadiumweg 11-C
3812 PX Amersfoort
Tel.: +31 33 460 06 90
Fax: +31 33 460 06 99
Email (NL): info@HellermannTyton.nl
Email (BE): info@HellermannTyton.be
www.HellermannTyton.nl
www.HellermannTyton.be

HellermannTyton AS – Norway

PO Box 240 Alnabru
0614 Oslo
Tel.: +47 23 17 47 00
Fax: +47 22 97 09 70
Email: firmapost@HellermannTyton.no
www.HellermannTyton.no

HellermannTyton Sp. z o.o. – Poland

Kotunia 111
62-400 Słupca
Tel.: +48 63 2237111
Fax: +48 63 2237110
Email: info@HellermannTyton.pl
www.HellermannTyton.pl

HellermannTyton – Romania

Email: officeRO@HellermannTyton.at
www.HellermannTyton.at

OOO HellermannTyton – Russia

40/4, Pulkovskoe road
BC Technopolis Pulkovo, office A 8081
196158, St. Petersburg
Tel.: +7 812 386 00 09
Fax: +7 812 386 00 08
Email: info@HellermannTyton.ru
www.HellermannTyton.ru

HellermannTyton – Slovenia

Branch Office Ljubljana
Podružnica Ljubljana, Leskoškova 6
1000 Ljubljana
Tel.: +386 1 433 70 56
Fax: +386 1 433 63 21
Email: officeSI@HellermannTyton.at
www.HellermannTyton.si

HellermannTyton España s.l. – Spain/Portugal

Ayda. de la Industria 37 2 2
28108 Alcobendas, Madrid
Tel.: +34 91 661 2835
Fax: +34 91 661 2368
Email:
HellermannTyton@HellermannTyton.es
www.HellermannTyton.es

HellermannTyton AB – Sweden

Isafjordsgatan 5
16440 Kista
Tel.: +46 8 580 890 00
Fax: +46 8 580 348 02
Email: kundsupport@HellermannTyton.se
www.HellermannTyton.se

HellermannTyton

Engineering GmbH – Turkey

Saray Mah Dr. Adnan Büyükdenez Cad. No:4
Akkom Office Park 2, Blok Kat: 10
34768 Ümraniye-İstanbul
Tel.: +90 216 687 03 40
Fax: +90 216 250 32 32
Email: info@HellermannTyton.com.tr
www.HellermannTyton.com.tr

HellermannTyton Ltd – UK

William Prance Road
Plymouth International Medical
and Technology Park
Plymouth, Devon PL6 5WR
Tel.: +44 1752 701 261
Fax: +44 1752 790 058
Email: info@HellermannTyton.co.uk
www.HellermannTyton.co.uk

HellermannTyton Ltd – UK

Sharston Green Business Park
1 Robeson Way
Altrincham Road, Wythenshawe
Manchester M22 4TY
Tel.: +44 161 947 2200
Fax: +44 161 947 2220
Email: sales@HellermannTyton.co.uk
www.HellermannTyton.co.uk

HellermannTyton Ltd – UK

Cley Road, Kingswood Lakeside
Cannock, Staffordshire
WS11 8AA
Tel.: 01543-728282
Freephone line: 08008-1642204
Fax: 01543-728284
Email: info@HellermannTyton.co.uk
www.HellermannTyton.co.uk

HellermannTyton Data Ltd – UK

Cornwell Business Park
43-45 Salthouse Road, Brackmills
Northampton NN4 7EX
Tel.: +44 1604 707 420
Fax: +44 1604 705 454
Email: sales@htdata.co.uk
www.htdata.co.uk

Middle East

HellermannTyton – UAE

Email: info@HellermannTyton.ae
www.HellermannTyton.ae

North America

HellermannTyton – Canada

Tel.: +1 905 726 1221
Fax: +1 905 726 8538
Email: sales@HellermannTyton.ca
www.HellermannTyton.ca

HellermannTyton – Mexico

Tel.: +52 333 133 9880
Fax: +52 333 133 9861
Email: info@HellermannTyton.com.mx
www.HellermannTyton.com

HellermannTyton – USA

Tel.: +1 414 355 1130
Fax: +1 414 355 7341
Email: corp@htamericas.com
www.HellermannTyton.com

South America

HellermannTyton – Argentina

Tel.: +54 11 4754 5400
Fax: +54 11 4752 0374
Email: ventas@HellermannTyton.com.ar
www.HellermannTyton.com.ar

HellermannTyton – Brazil

Tel.: +55 11 4815 9000
Fax: +55 11 4815 9030
Email: vendas@HellermannTyton.com.br
www.HellermannTyton.com.br

Asia-Pacific

HellermannTyton – Australia

Tel.: +61 2 9525 2133
Fax: +61 2 9526 2495
Email: cservice@HellermannTyton.com.au
www.HellermannTyton.com.au

HellermannTyton – China

Tel.: +86 510 8528 2536
Fax: +86 510 8528 2731
Email: cservice@HellermannTyton.com.cn
www.HellermannTyton.com.cn

HellermannTyton – Hong Kong

Tel.: +852 2831 9090
Fax: +852 2832 9381
Email: cservice@HellermannTyton.com.hk
www.HellermannTyton.com.sg

HellermannTyton – India

Tel.: +91 120 413 3384
Bangalore: +91 776 001 0104
Chennai: +91 996 264 3939
Faridabad: +91 971 851 7797
Ghaziabad: +91 93 1354 1671
Pune: +91 727 601 2200
Email: cservice@HellermannTyton.co.in
www.HellermannTyton.co.in

HellermannTyton – Japan

Tel.: +81 3 5790 3111
Fax: +81 3 5790 3112
Email: mkt@hellermannTyton.co.jp
www.HellermannTyton.co.jp

HellermannTyton – Republic of Korea

Tel.: +82 31 388 8012
Fax: +82 31 388 8013
Email: cservice@HellermannTyton.co.kr
www.HellermannTyton.co.kr

HellermannTyton – Philippines

Tel.: +63 2 752 6551
Fax: +63 2 752 6553
Email: cservice@HellermannTyton.com.ph
www.HellermannTyton.com.ph

HellermannTyton – Singapore

Tel.: +65 6 586 1919
Fax: +65 6 752 2527
Email: cservice@HellermannTyton.sg
www.HellermannTyton.com.sg

HellermannTyton – Thailand

Tel.: +662 237 6702 / 266 0624
Fax: +662 266 8664
Email: cservice@HellermannTyton.co.th
www.HellermannTyton.com.sg

Africa

HellermannTyton – South Africa

Tel.: +27 11 879 6680
Fax: +27 11 879 6601
Email: sales.jhb@HellermannTyton.co.za
www.HellermannTyton.co.za

